

Siglos *ULTRA*

by *DreamVision*[®]

We dream! We hope! We can!



4K
INTERPOLATION
UHD

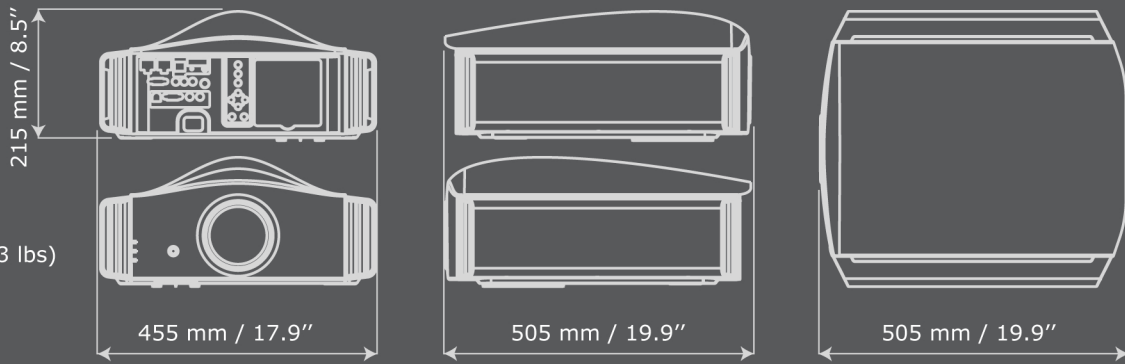
HDR
Perceptual Quantization EOTF
Hybrid Log

**LOW
LATENCY**

3D

**4K, 2D and 3D VIDEO-PROJECTORS
FOR HOME-CINEMA & SMALL VENUES**

Weight
15.1 kg (33.3 lbs)



| MODEL NAME | SIGLOS Ultra 1 | SIGLOS Ultra 2 | SIGLOS Ultra 3 |
|------------------------------|---|---|----------------|
| P/N STANDARD PACK | R9201701 | R9201702 | R9201703 |
| P/N PASSIVE 3D PACK | R9201704 | R9201705 | R9201706 |
| DISPLAY RESOLUTION | 3840 x 2160 (4K Resolution) | | |
| SIGNAL COMPATIBILITY | HDR content auto-detect, 4K streaming services and UHD Blu-ray disks up to 4K60p | | |
| PANEL TECHNOLOGY | 3-chip LCOS HD 0.7 inch panel | | |
| OPTIC | Full-glass Motorized Lens (zoom & focus) 1.4 -2.8:1 (2x zoom) | | |
| OPTIC SLIDE COVER | No | Yes | |
| SCREEN OFFSET | Motorized Optical Shift +/- 80% vertically +/- 34% horizontally | | |
| SCREEN SIZE (16:9) | 60" - 240" diagonal | | |
| LAMP CONSUMPTION | 265 W NSH Bulb - up to 4500 hours (with lamp used in low mode) | | |
| BRIGHTNESS (ANSI LUMENS) | 1 800 | 1 900 | 2 000 |
| NATIVE CONTRAST RATIO | 40 000:1 | 130 000:1 | 160 000:1 |
| DYNAMIC CONTRAST RATIO | 400 000:1 | 1 300 000:1 | 1 600 000:1 |
| CMS FUNCTIONS | YES (6-Axis) | | |
| COLOR MODES | REC.709 (HDTV) | REC.709, DCI-P3 and BT.2020 | |
| EXPERT CALIBRATION | NO | YES | |
| PICTURE MODES | 4 Presets + 5 User Modes | 4 Presets + THX + 5 User Modes + 4 for Installation Expert only | |
| COLOR SPACE PROFILES | 9 Presets + 5 Users | 12 Presets + 5 Users | |
| NOISE LEVEL | Less than 20 dB (in low mode) | | |
| INPUTS | 2x HDMI 2.0b inputs [with HDCP 2.2 and 18 Gbps transmission band] | | |
| HOME-CINEMA VIDEO PROCESSING | HDR Picture modes with Perceptual Quantization (PQ) EOTF and Hybrid Log gamma Low Latency mode for real time simulation and ultimate gaming experiences Blur Reduction and enhanced 400Hz Crystal Motion® new True Cinema Black V (with HDR support) 4K Interpolation (3840 x 2160) | | |
| 3D COMPATIBILITY | Frame Packing, Side-by-Side, Top & Bottom - 3D anamorphic V-Stretch | | |
| PIXEL ALIGNMENT | 1/16 pixel adjustment in 81 individual zones | | |
| WEIGHT | 14.3 kg (31.5 lbs) | 15.1 kg (33.3 lbs) | |
| DIMENSIONS (LxWxH) | 505 x 455 x 215 mm (19.9 x 17.9 x 8.5 inches) | | |
| HOME AUTOMATION | RS-232 (Dsub 9) / LAN RJ45 / 12V Trigger | | |
| DIGITAL KEYSTONE | YES V+/- 16° (not in 3D Mode) | | |
| POWER AND CONSUMPTION | AC 110~240V 50/60Hz 360 W / 4.8 W in stand-by / 0.4W in Eco-Mode stand-by | | |
| BOX DIMENSIONS | 61x58x41 cm 19.5 kg (67x66x52 cm - 21.5 kg when shipped individually) | | |
| OPTIONS | 3D Glasses, anamorphic kit, Ceiling Mount kit, Motorized Lift, special colors and finishes, screens | | |
| PASSIVE 3D KIT | B.E.S.T. 3D Passive Kit for Siglos Series | | |